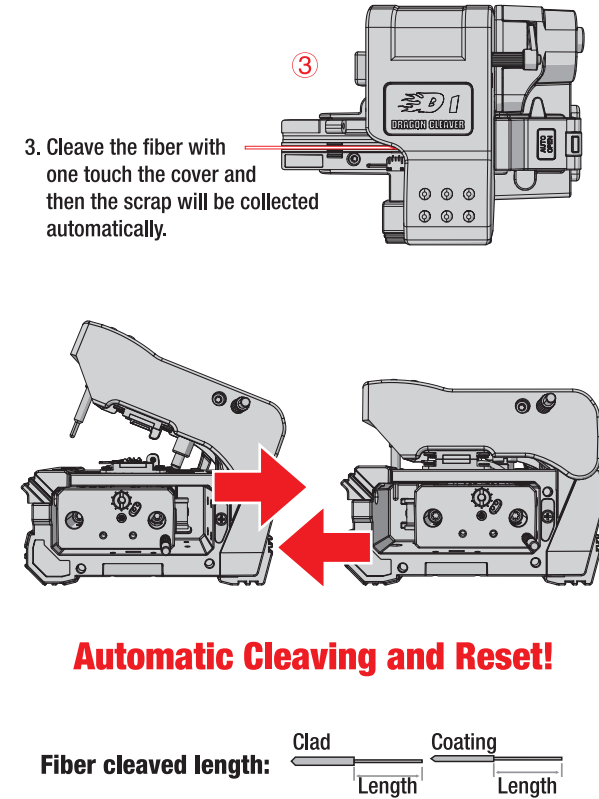
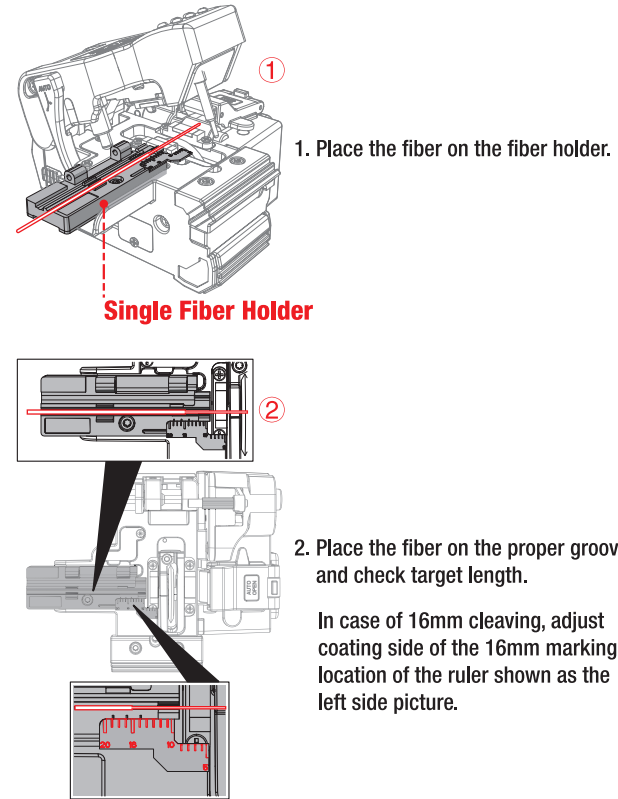


**Operating procedure**



**Safety warnings and precaution**

Thank you for choosing D1. In order to use D1 properly, be well aware of this manual before use.

**Warnings, if do not follow this manual, user might get injured or damaged on product.**

**Precaution:**

1. Disassemble or putoil on main body might occur damage on the product.
2. Drop or percussion might damage the product.
3. Do not touch the blade with finger to avoid injury and damage on the blade.
4. Fiber and scrap are able to be dangerous, Clean up immediately.
5. Properly place the fiber debris, prepare bin for fiber scrap.
6. If there is any problem in use, stop operating and contact INNO Instrument Service Center.

**INNO INSTRUMENT, Inc.**  
65-3 Sangdaewon-dong, Jungwon-gu,  
Seongnam-si, Gyeonggi-do 462-807,  
Republic of Korea  
Tel: +82 31 742 8755  
Fax: +82 31 742 8799  
Email: info@innoinstrument.com  
www.innoinstrument.com

**Product Overview**

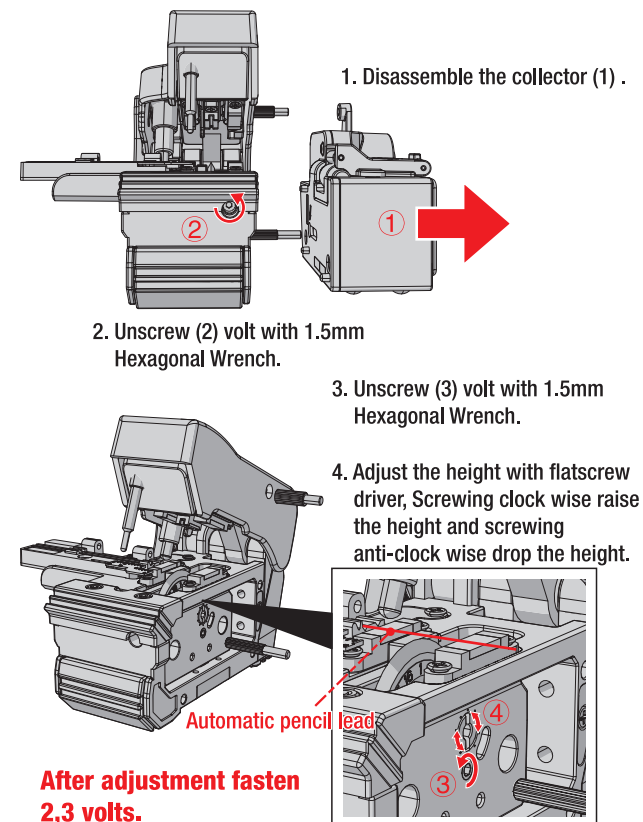
Stripped fiber diameter	125μm
Number of Core	Single(Φ0.25&0.9mm)up to 12 Ribbons
Cleaved length	10mm
Dimensions	95.5(W)X77.5(D)X60.7(H)
Weight	286g

Cleaver	1
Product Warranty	1
Instruction Manual	1
M2 Wrench	1
Carrying Case	1
Case	1

**Optional Accessory**

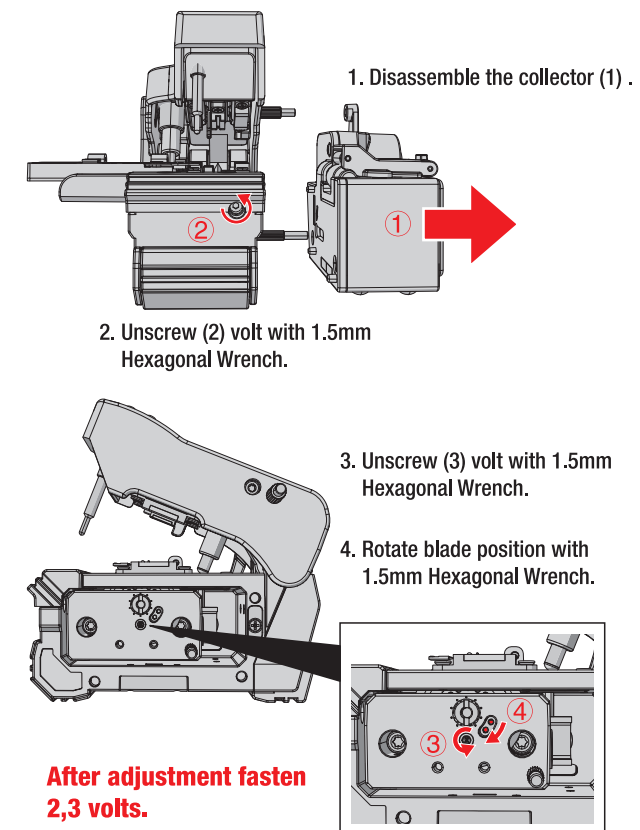
Blade	B77
Fiber Holder	FH-SOC FH-12R
Automatic Fiber Collector	D1-T

**Blade height adjustment**



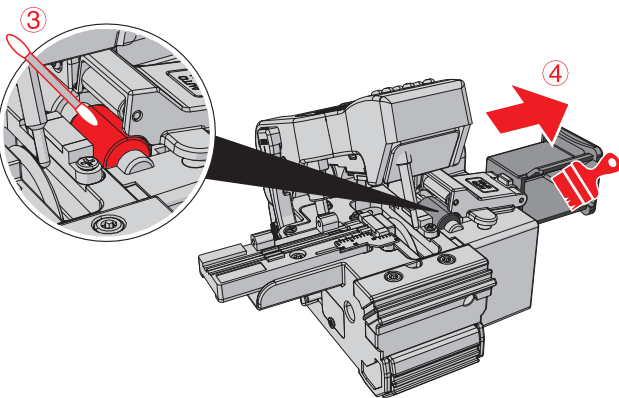
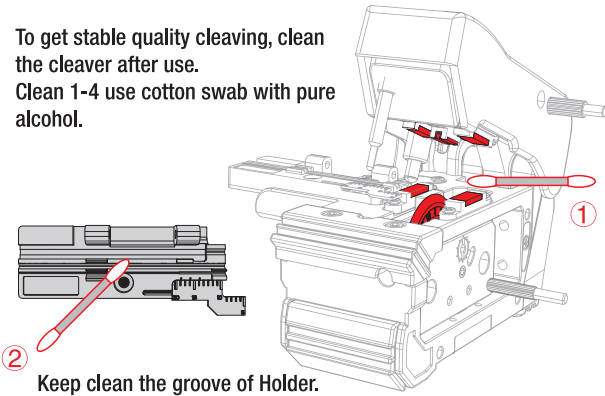
Caution: When you adjust the height of blade, use soft-wooden Bar as standard point blade height.

**Blade position adjustment**



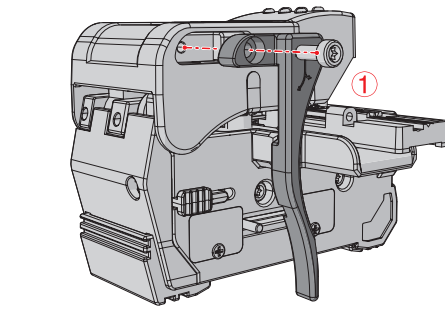
## Maintenance

To get stable quality cleaving, clean the cleaver after use.  
Clean 1-4 use cotton swab with pure alcohol.

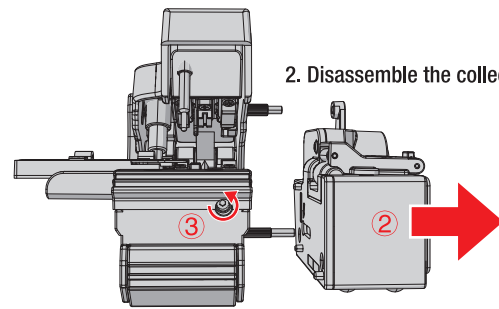


## Blade Replacement

1. Unscrew volt with T8 screw driver and disassemble the lever.



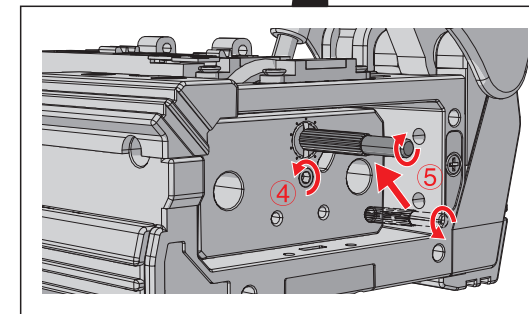
2. Disassemble the collector (2).



3. Unscrew (3) volt with 1.5mm Hexagonal Wrench.

4. Unscrew (4) volt with 1.5mm Hexagonal Wrench.

5. Take out lever (5) and put it on height adjustment position.

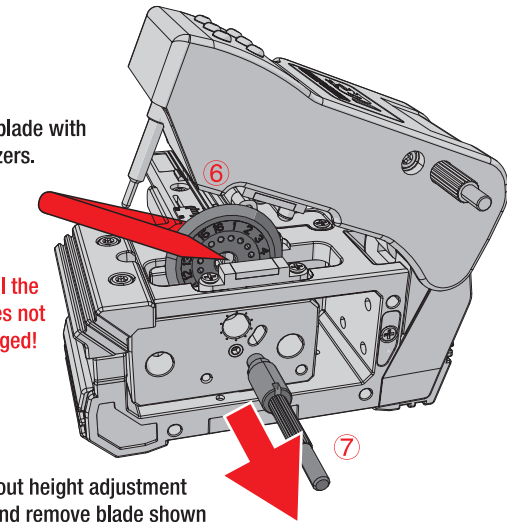


6. Hold blade with tweezers.

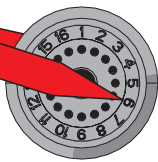


Be careful the blade does not get damaged!

7. Take out height adjustment volt and remove blade shown as picture.

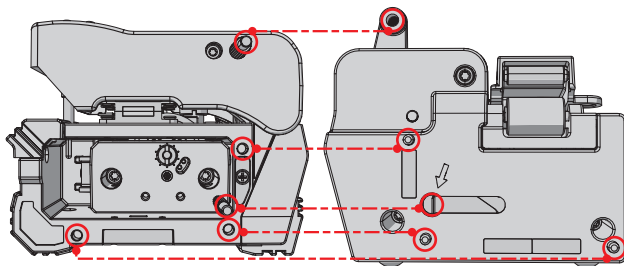


8. Make sure "1" position of blade is on top.

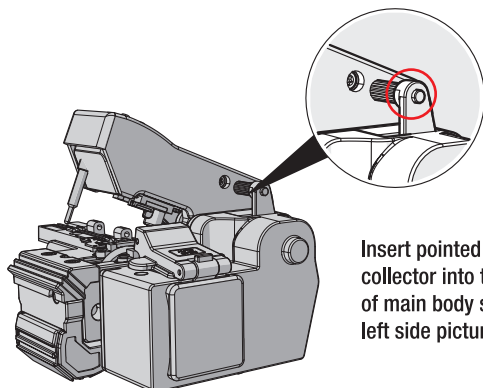


After adjustment, reassemble as 6-7-4-3-1-5 procedure and operate test. (Make sure fasten 4,3,5 position)

## Fiber Collector Assembly

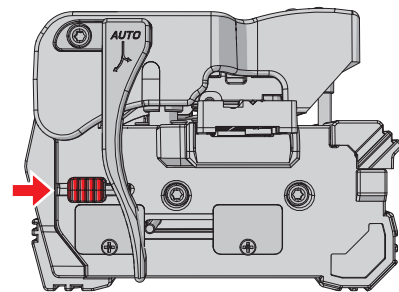


In order to reassemble fiber collector, make 5 place on both side match each other.

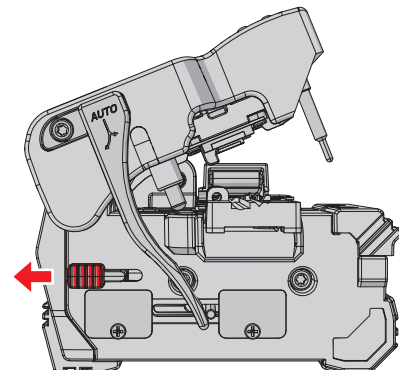


Insert pointed lever of collector into the hole of main body shown as left side picture.

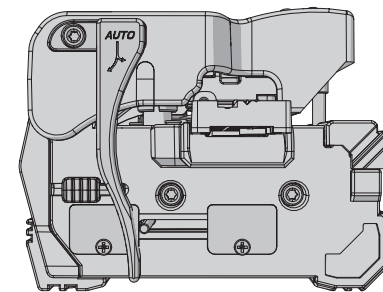
## Cleaver Lock



Lock

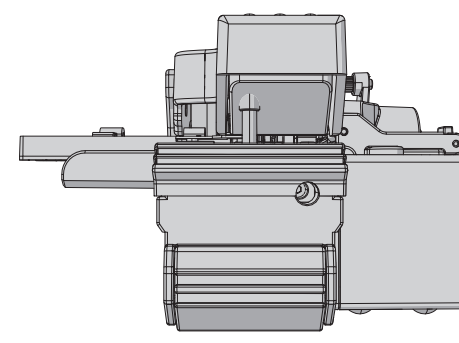


Unlock



77.5mm

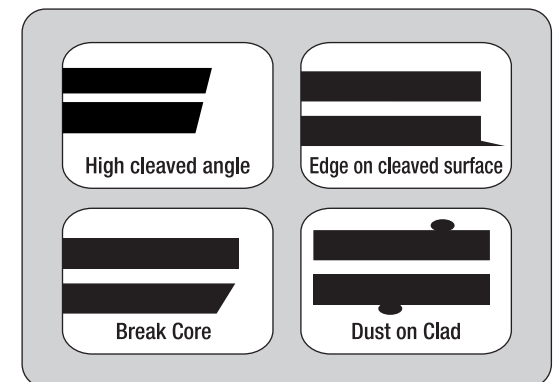
60.7mm



95.5mm

60.7mm

## Trouble Shooting



Cleaving problem might occurred by these reasons:

1. Improperly place the fiber.  
-- Place fiber properly and straightly.
2. The height of blade is too high.  
-- Adjust the height of blade.
3. Dust on holder or clamp.  
-- Clean holder and clamp.
4. Dust on the fiber.  
-- Clean fiber with alcohol.

If you have problem in use, please contact INNO Instrument Local Distributors.