



SPARK TOOLS

SPARK-T1

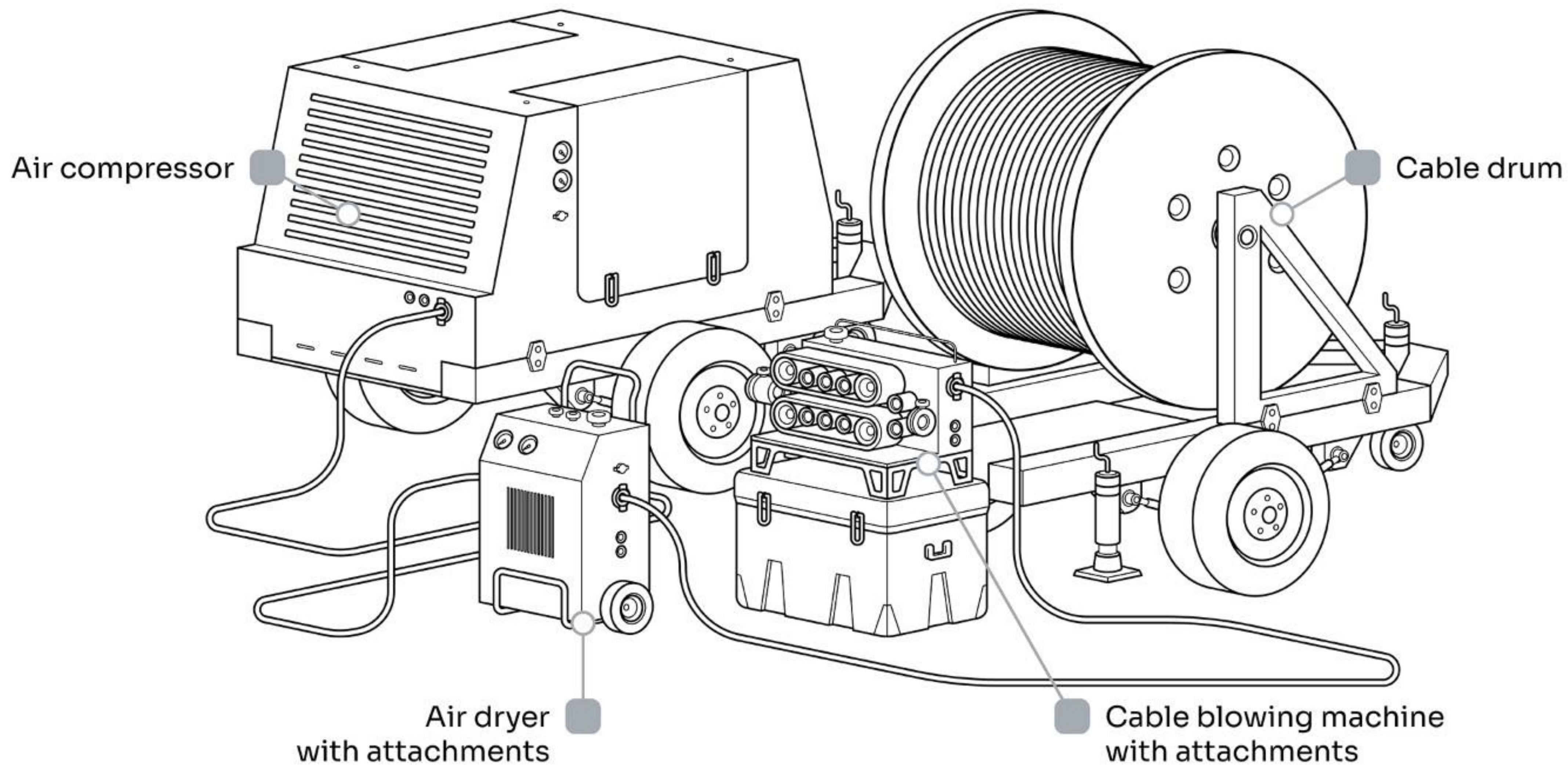
Fibre Blowing
Mobile Platform

PATENT PENDING

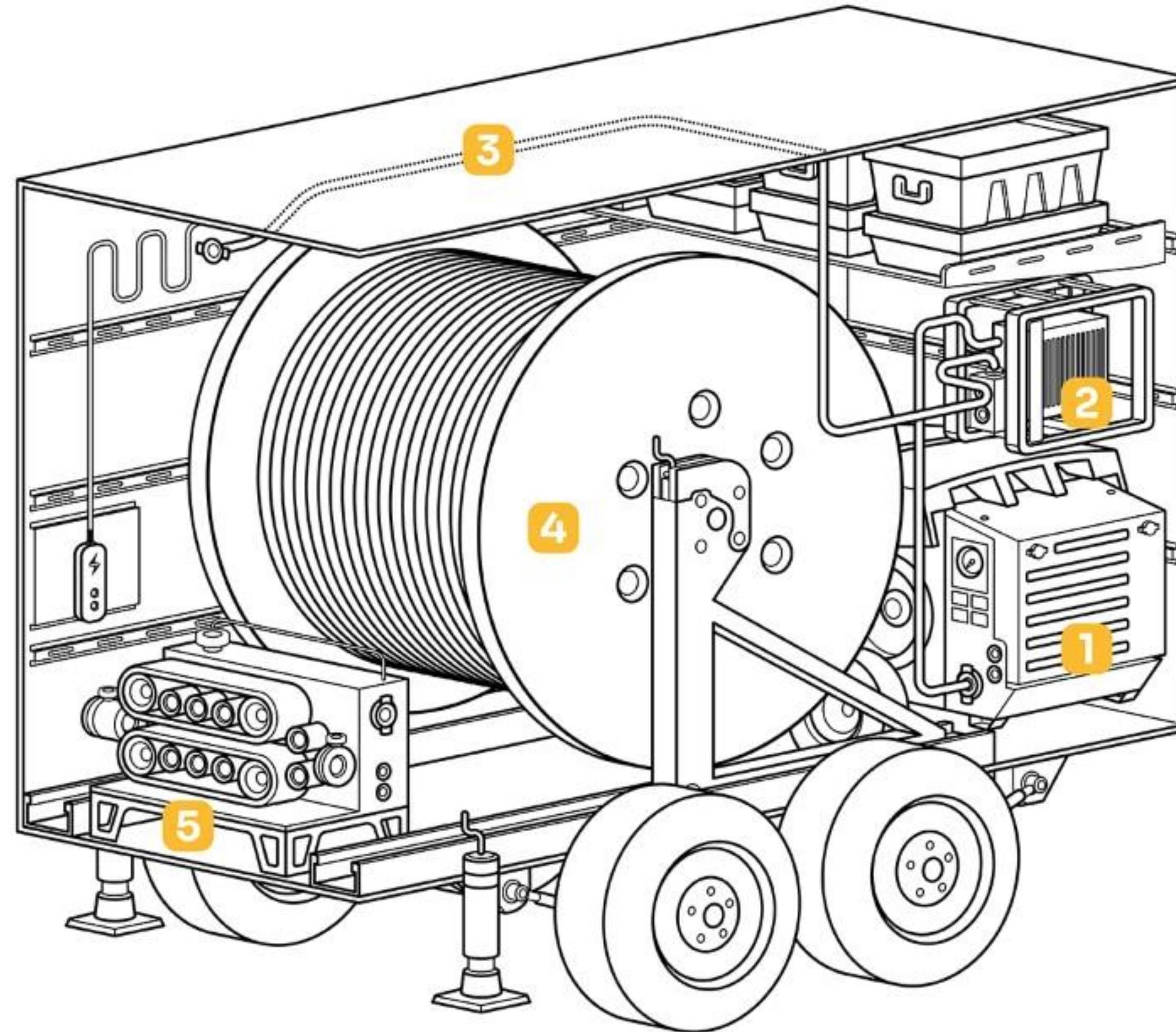
POWERED BY
KAESER
KOMPRESSOREN®

THE ISSUE

SET-UP AND LOADING TAKE UP TIME



THE SOLUTION FIBER BLOWING MOBILE PLATFORM



**All devices are
on one trailer:**

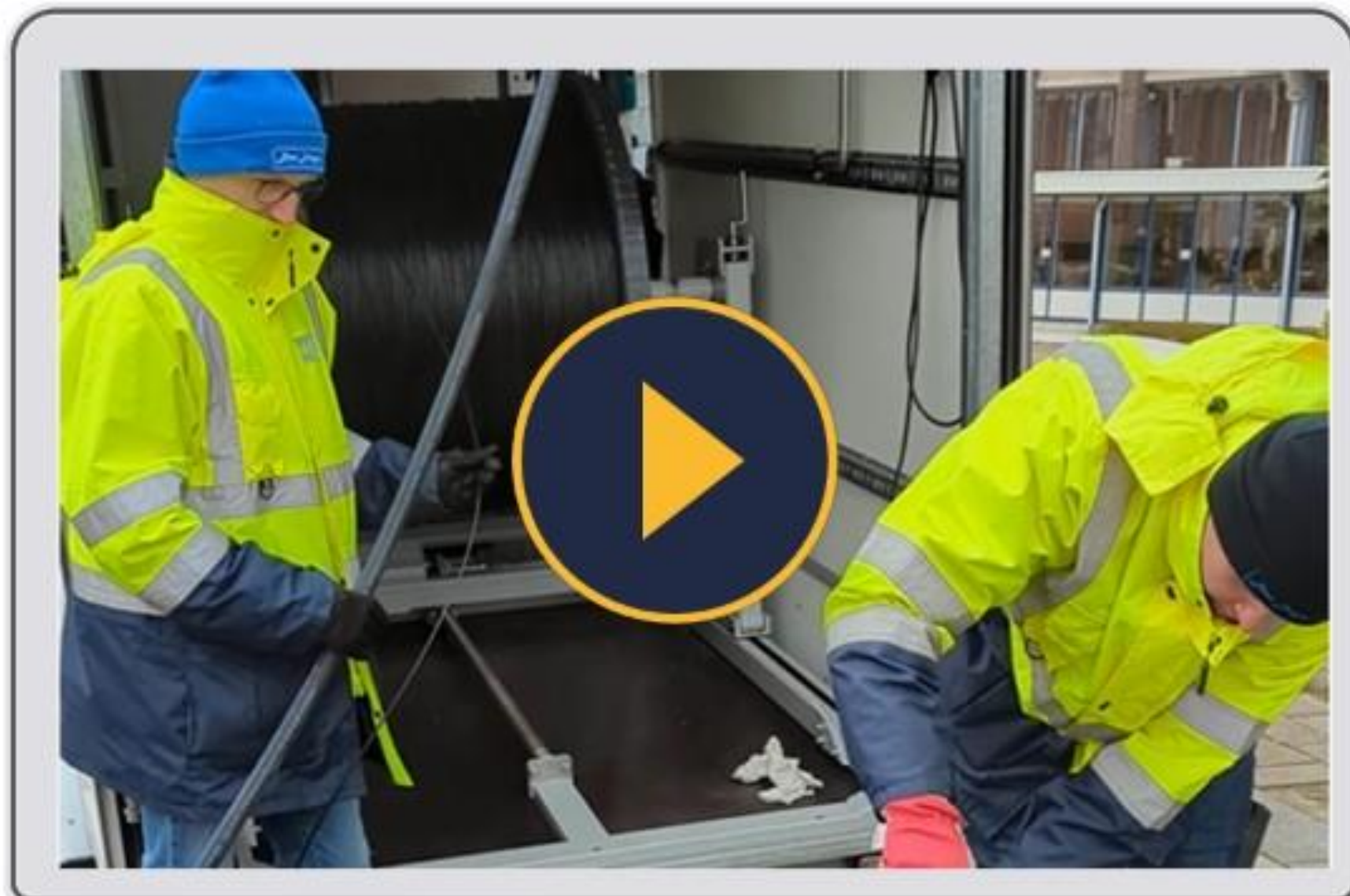
- 1** KAESER M17A
Air compressor
- 2** Air dryer
- 3** Pneumatic
installation
- 4** Auto-loading
cable drum
- 5** Cable blowing
machine

PATENT PENDING

The product drawings and images shown are for illustration purposes only and may not be an exact representation of the product.

POWERED BY
KAESER
KOMPRESSOREN®

THE SOLUTION READY TO WORK IN 1 MINUTE



<https://youtube.com/shorts/A34UlewtcQE>



<https://youtu.be/OTdvahP4geY>

PATENT PENDING

POWERED BY
KAESER
KOMPRESSOREN®

KEY FEATURE

AUTOMATIC DRUM LOADING & UNLOADING



<https://youtu.be/fB0tZula0b4>



<https://youtu.be/JCqQc7V82ek>

PATENT PENDING

POWERED BY
KAESER
KOMPRESSOREN®

THE IMPACT
WORKDAY WITH STANDARD SETUP



Commute	10 min
Set-up	20 min
Fiber-blowing 1km	60 min
Loading	20 min
Cycle time	110 min
Workday	8 h = 480 min
Cycles per day	$480 / 110 = 4,4$
FIBER BLOWN PER DAY	4 km

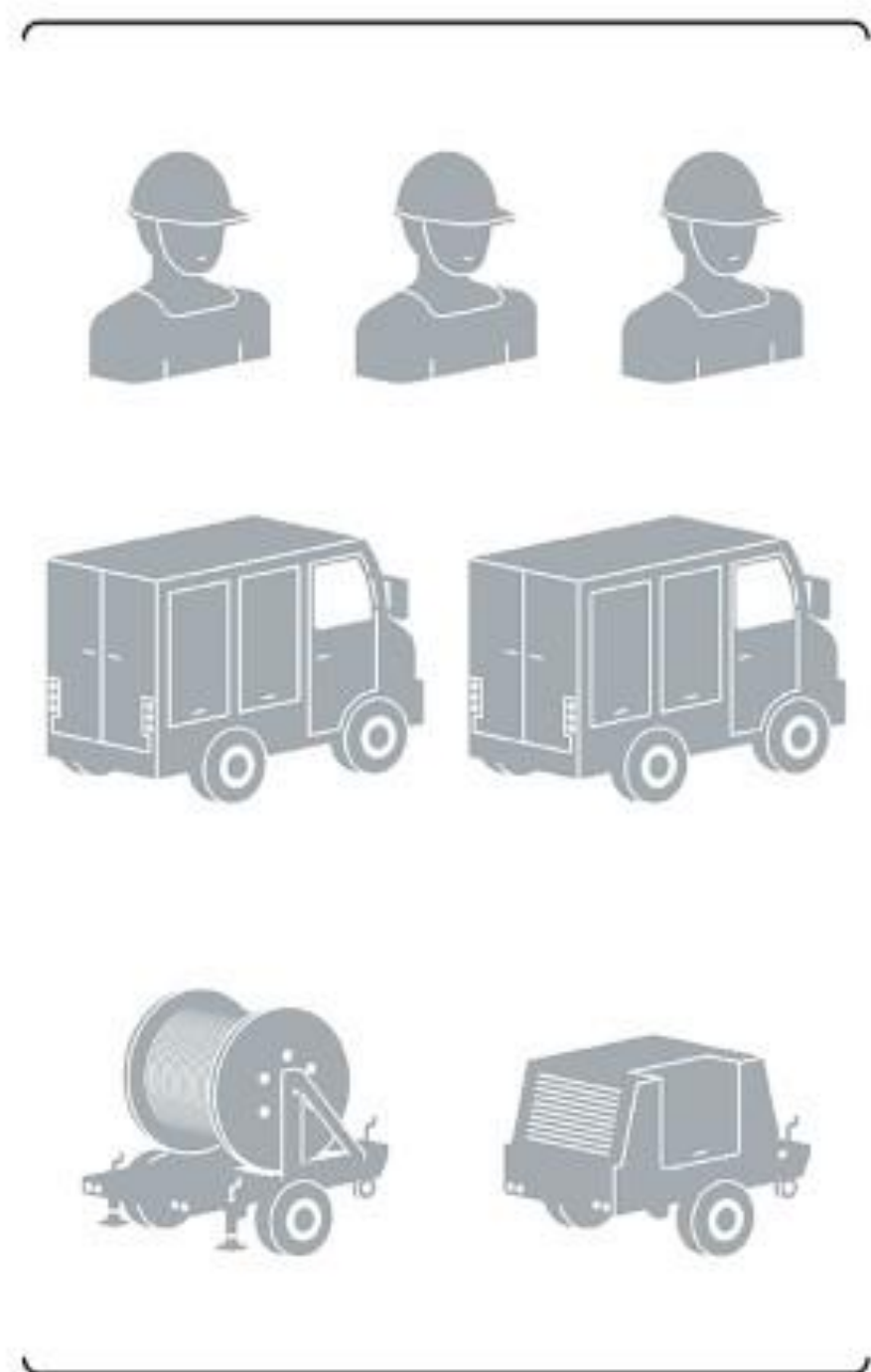
THE IMPACT
WORKDAY WITH SPARK-T1



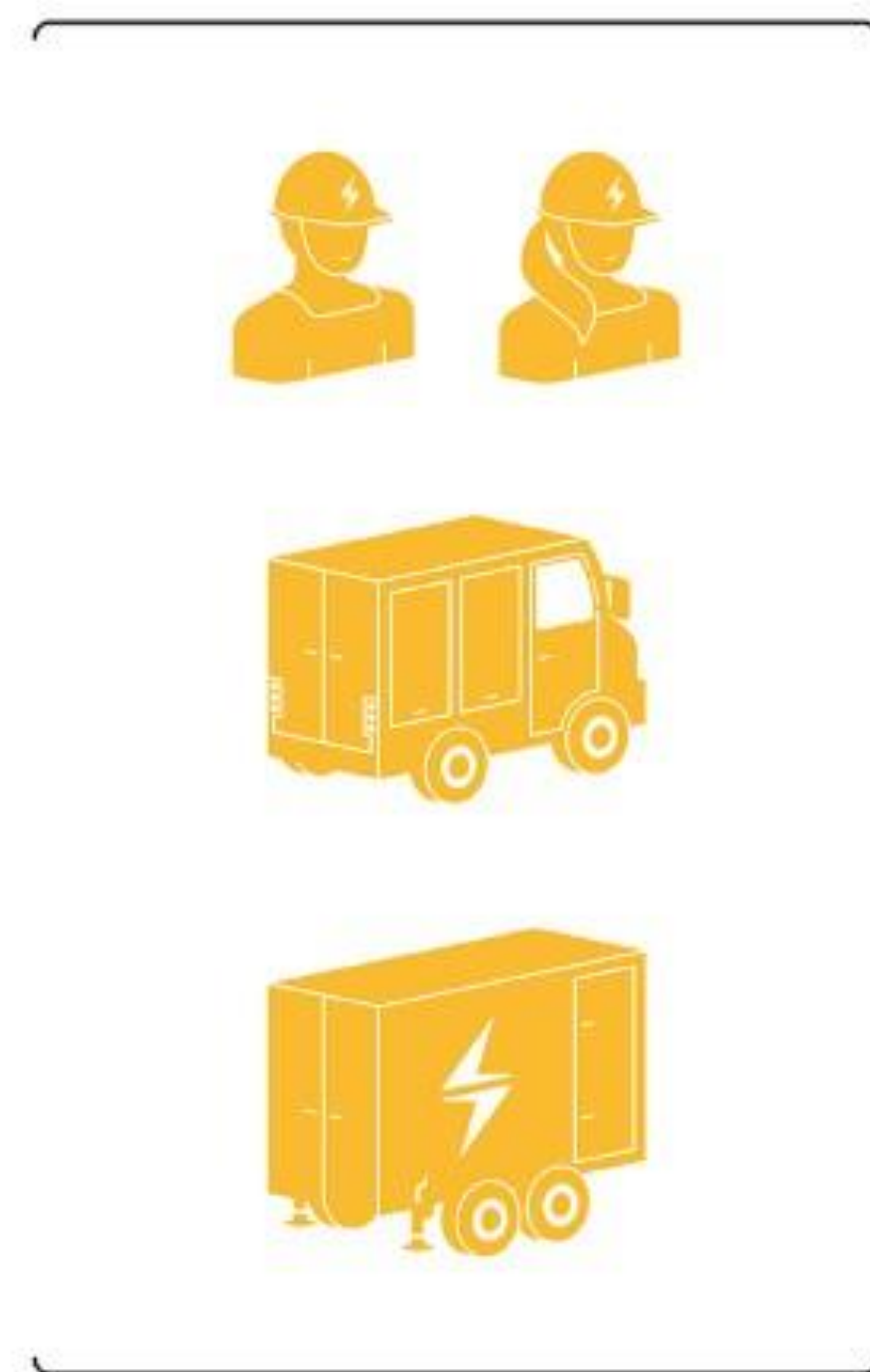
Commute	10 min
Set-up	1 min
Fiber-blowing 1km	60 min
Loading	1 min
Cycle time	75 min
Workday	8 h = 480 min
Cycles per day	480 / 75 = 6,4
FIBER BLOWN PER DAY	6 km (+50%)

LESS EQUIPMENT & LESS PEOPLE

Standard setup



Spark-T1 setup

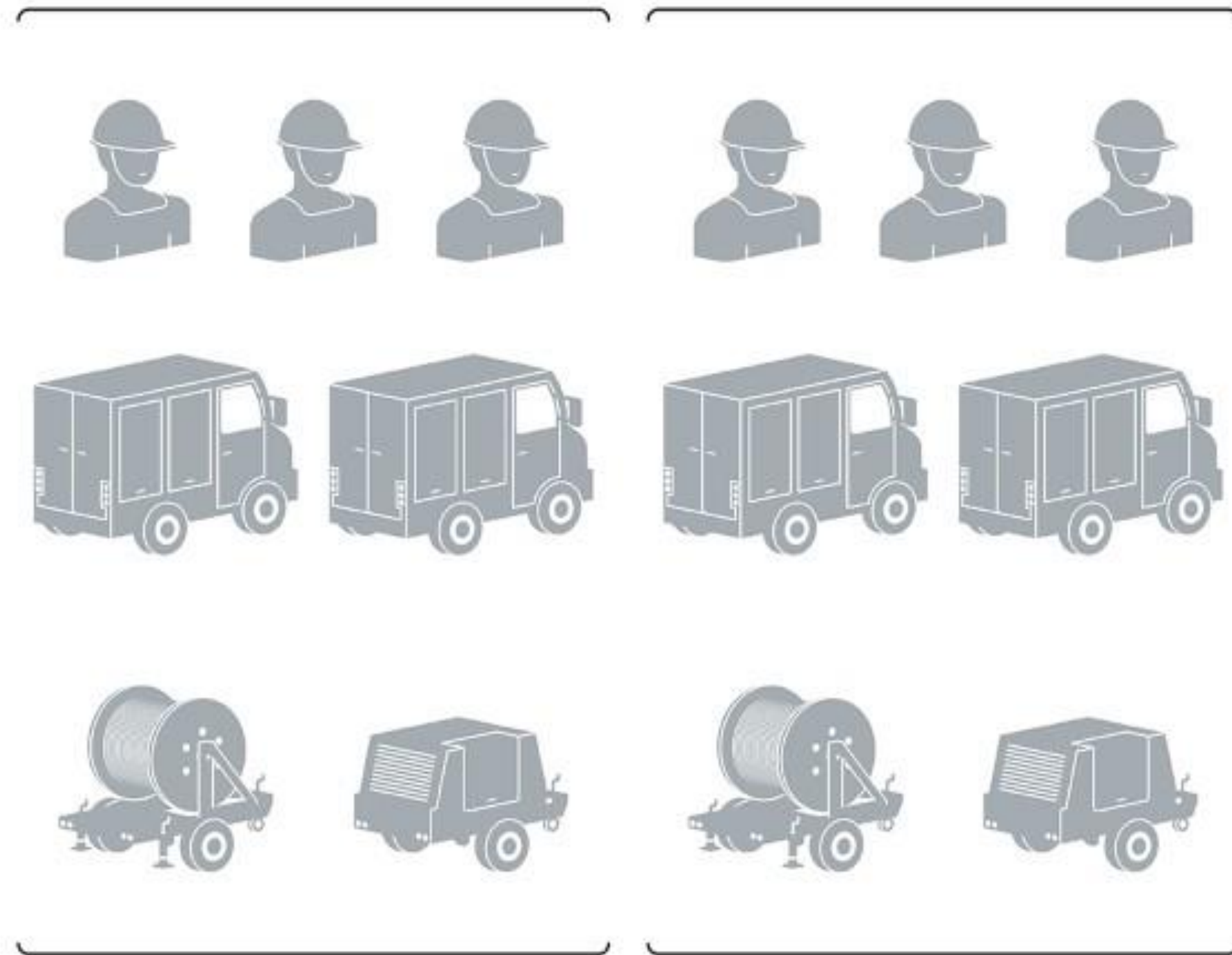


COMPANY IMPACT

DOUBLING THE ADVANTAGE



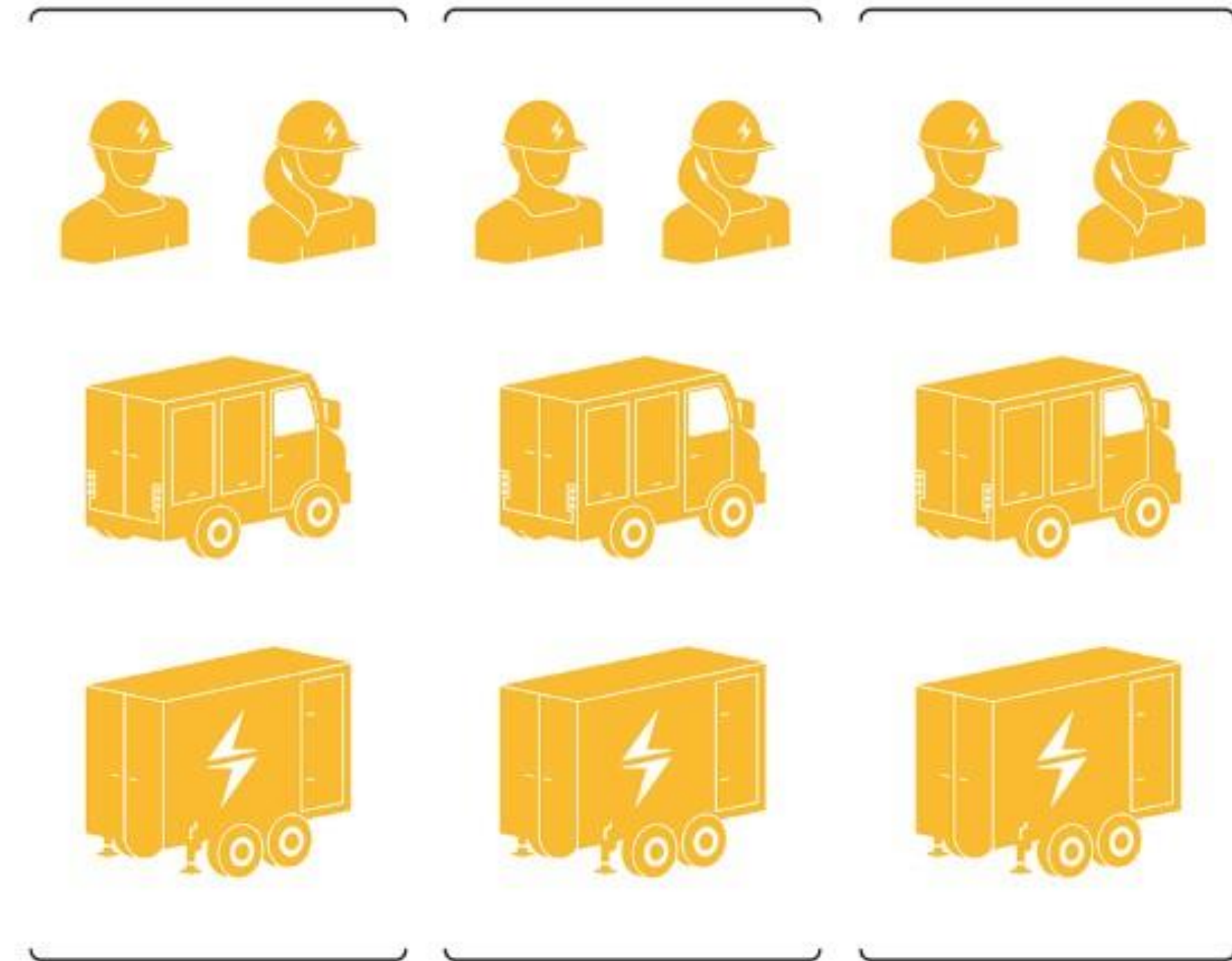
Standard setup with 6 people



2 x 4 KM = 8 KM
FIBER BLOWN PER DAY



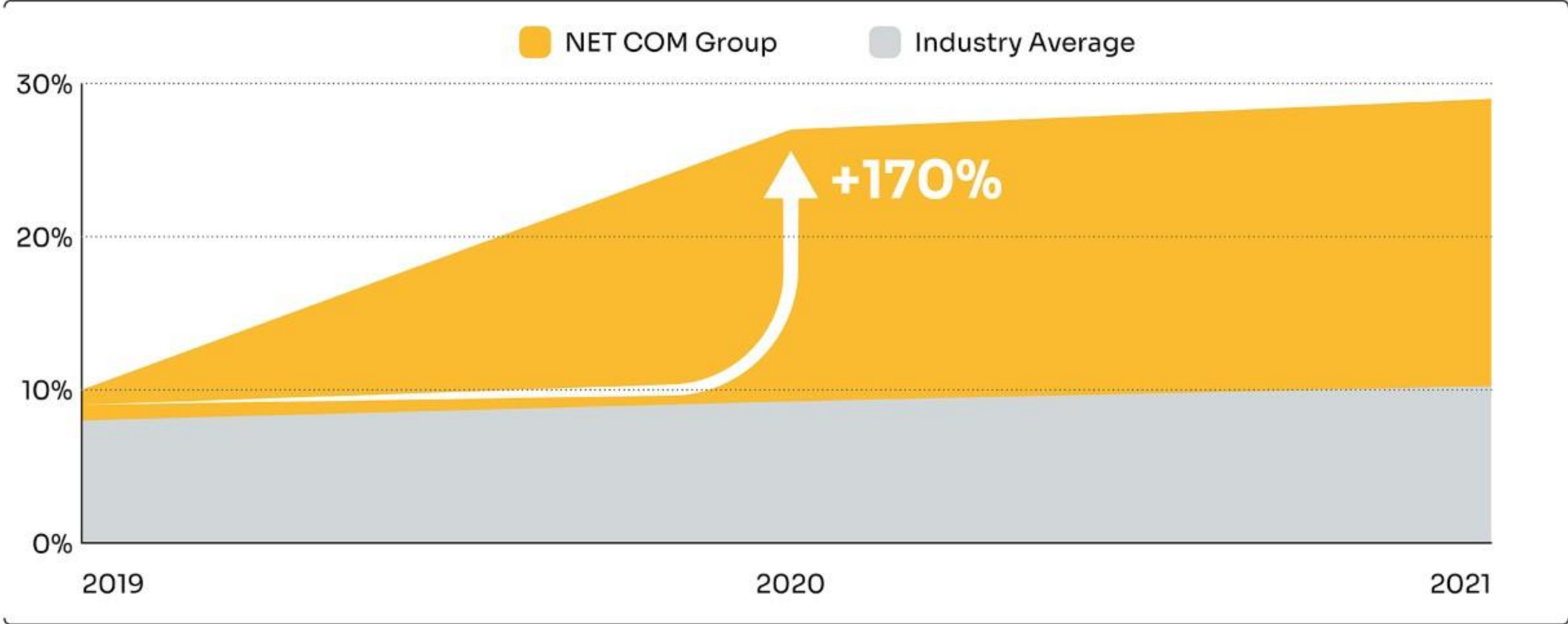
Spark-T1 setup with 6 people



3 x 6 KM = 18 KM (+125%)
FIBER BLOWN PER DAY

PROFITABILITY

EBITDA MARGIN AFTER INTRODUCING SPARK-T1

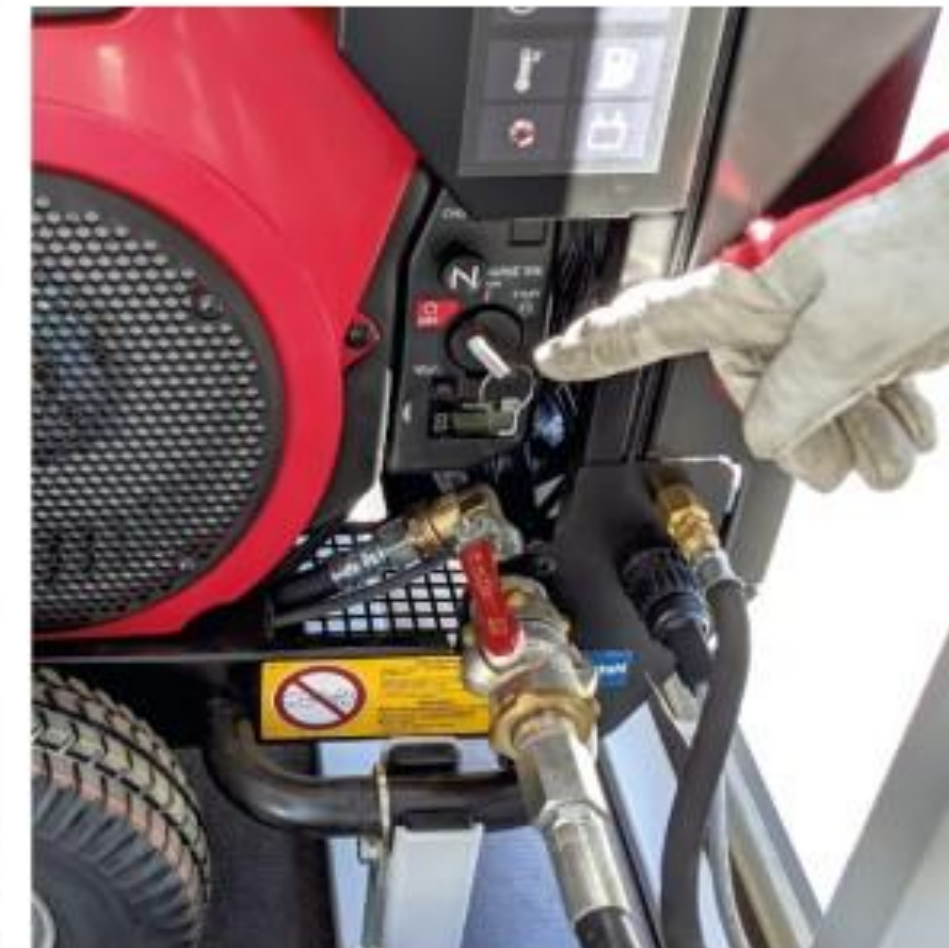


KEY PARTNERSHIP
KAESER KOMPRESSOREN



The trailer has been designed, tested and reviewed in configuration with the M17A KAESER compressor.

All modifications have been approved by KAESER, and are covered by the manufacturers 12-month warranty.



SPECIFICATION

KEY NUMBERS



- Maximum drum size: 1000 kg, 160 cm diameter, 120 cm wide.
We believe this covers all kinds of cable drums that can be jetted with the M17.
- Weight. The total permissible weight of the trailer is 2700 kg, load capacity is 2050 kg.
The metalwork is 200 kg, a fully fueled M17A 250 kg, and the max weight of the drum is 1000 kg, for a total load of 1450 kg. This leaves 600 kg of additional capacity for tools and other equipment.
- B+E license required.
- 12 month warranty for the whole set-up,
if anything should happen to the compressor it's covered by the KAESER mobile warranty.

CONTACT

HAVE WE SPARKED YOUR INTEREST?



Feel free to contact us if you would like to know more about the Spark-T1.



Michał Narkiewicz

Co-Founder

mn@sparktools.eu

+48 607 546 111

PATENT PENDING

The product drawings and images shown are for illustration purposes only and may not be an exact representation of the product.

POWERED BY
KAESER
KOMPRESSOREN®